

CCS Technical Documentation NKC-1X Series Transceivers

Product Variants

Table of Contents

	Page No
Transceiver NKC-1X	3
Modules and Transceiver Structure	3
Assembly Parts of the Basic Transceiver NKC-1X	4
Assembly Parts of NKC-1X Product Variants	5
Radio Frequency Identification (RFID)	6

List of Figures

	Page No
Fig 1 Exploded view of Basic Transceiver NKC-1X	4
Fig 2 Exploded view of NKC-1X product variants	5

Transceiver NKC-1X

The NKC-1X transceiver is a TDMA single band (SB), 800 MHz + AMPS hand portable.

NOTE: The Service Manual is intended for use by qualified service personnel only.

Modules and Transceiver Structure

Custom Transceiver

ATO Transceiver

- 1 A-cover
- 2 Keymat
- 3 Co-label, if needed
- 4 Type label
- 5 Software settings
 - CSF-file
 - SW Language package (PPM)

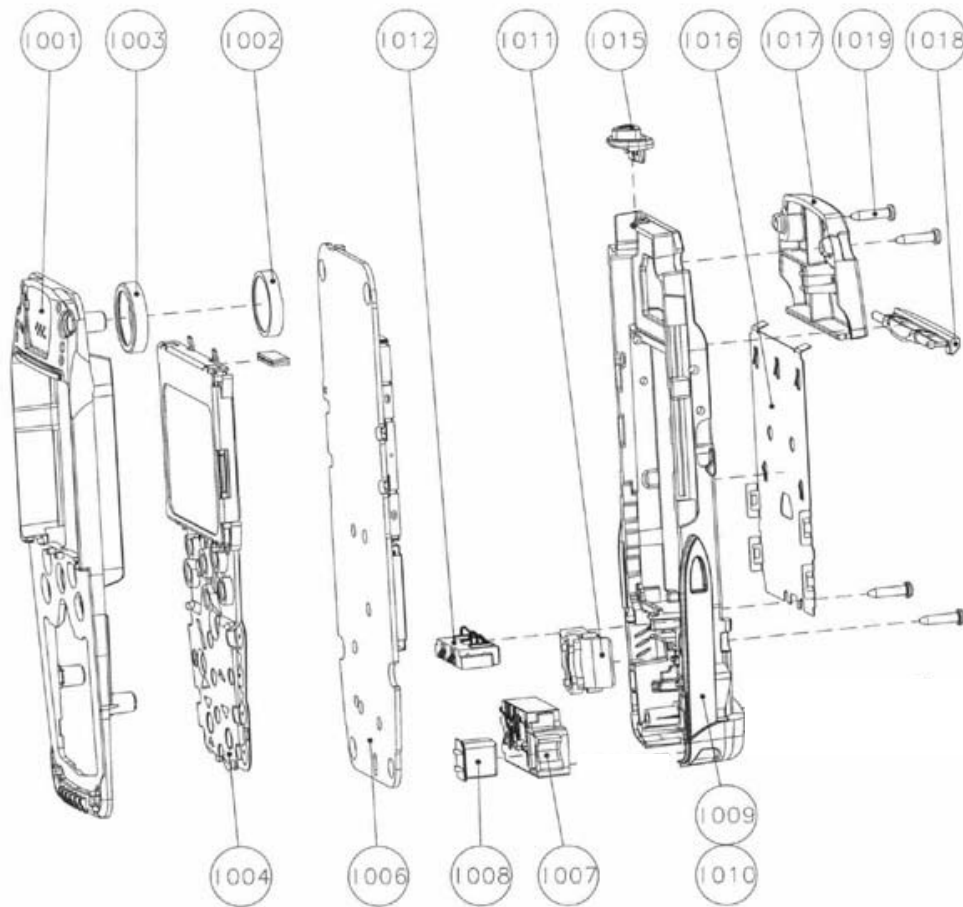
Basic Transceiver NKC-1X for Manuas 0509044

- RF/System Module 0202026
- Mechanics for DAMS 0262685
- SW NKC-1 basic flash 0245072

The Basic Transceiver NKC-1X consists of the System, Mechanics and Software -modules. It is a tested engine after FINUI testing. All NKC-1X product variants are based on the Basic Transceiver.

Note: This is the basic structure of the phone. The Basic Transceiver codes vary according to the manufacturing site. When servicing the phone, please make sure that you only use the documents meant for this RF-module.

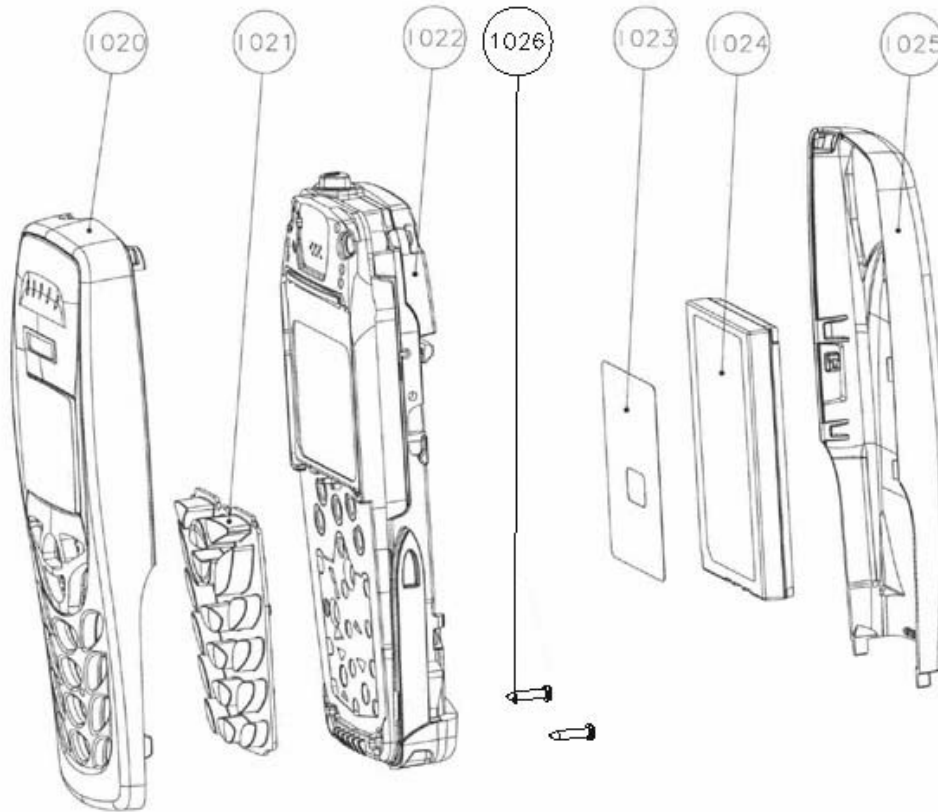
Figure 1: Exploded view of Basic Transceiver NKC-1X



Assembly Parts of the Basic Transceiver NKC-1X

ITEM	Q'TY	CODE	DESCRIPTION	VALUE, TYPE
I001	1	9458372	C-cover assy	DMC04734-EN
I002	1	5140067	Speaker	
I003	1	9480570	Speaker gasket	DMD06256-EN
I004	1	4850271	LCD module assy	DMC02760-EN
I006	1	9854627	PWB	DMD05311-EN
I007	1	5409209	System connector assy	SD-91343-003
	1			SD-91343-004
I008	1	5140201	Microphone assy	DMC02719 &
	1			DMC02720-EN
I009	1	9490509	D-cover assy DB	DMC04736-EN
I010	1	9452331	D-cover	DMD08588-EN
I011	1	5140203	Buzzer assy	DMC04025-EN
I012	1	5409143	Battery connector	DNT10033-EN
I015	1	9790651	PWR key	DMD08641-EN
I016	1	9510561	Metal Deck	DMD05244-EN
I017	1	0660220	Antenna assy DB	DNS02671-EN/S39700.1
I018	1	9451706	Battery latch	DMD05561-EN
I019	4	6290093	Screws	DMD05615-EN

Figure 2: Exploded view of NKC-1X product variants



Assembly Parts of NKC-1X Product Variants

ITEM	Q'TY	CODE	DESCRIPTION	VALUE, TYPE
I020	1	9458373	A-cover assy (Dark Grey)	DMC04733-EN
I021	1	9794074	Keymat assy	DMC04735-EN
I022	1	0509044	Basic Transceiver	
I023	1	9370583	Typelabel	DMC03344-EN
I024	1	0670324	Battery BMC-3	DMD05236-EN
I025	1	9452341	B-cover (Dark Grey)	DMD08605-EN
I026	2	6290127	Screws M1.6 x 11.6	DMD08647-EN

Radio Frequency Identification (RFID)

NKC-1X transceiver includes a space for a passive Radio Frequency Identification (RFID) tag on the D-cover.

The RFID is being used in lieu of traditional credit cards, debit cards and cash to initiate and authorise payment transactions for goods and services at the point-of-sale.

The RFID tag is not going to be an inbox accessory, but it can be inserted into the phone at point-of-sales, if needed.